

HAT/SP

SCALD PROTECTION VALVE

BENEFITS

- HAT/SP temperatures up to 105°F meet ANSI Z258.1 standards
- Protects safety showers from over-temperature conditions, keeping personnel safe
- Self-operating, no power or signal required
- Two wrench flats for easy installation
- Discharges the minimum amount of water required

DESIGN FEATURES

- Exclusive **Thermoloid**® thermal actuator
- Stainless steel body, fittings, spring, and plug
- Compact, low-mass - fast response
- Corrosion resistant - long service life
- Ram type plug for reliable and tight shutoff
- Installs in any orientation

APPLICATIONS

A safety hazard for plant personnel will occur through solar radiation or overheating caused by steam or electric tracing resulting in extremely high temperatures at the point of use. The **HAT/SP** valve prevents this safety hazard. When installed in safety showers, eyewash stations, and other locations exposed to the same source of overheating as the system, the **HAT/SP** will be heated just as the pipe system. The valve will open to establish flow until the over-temperature water is eliminated and it will then modulate closed.

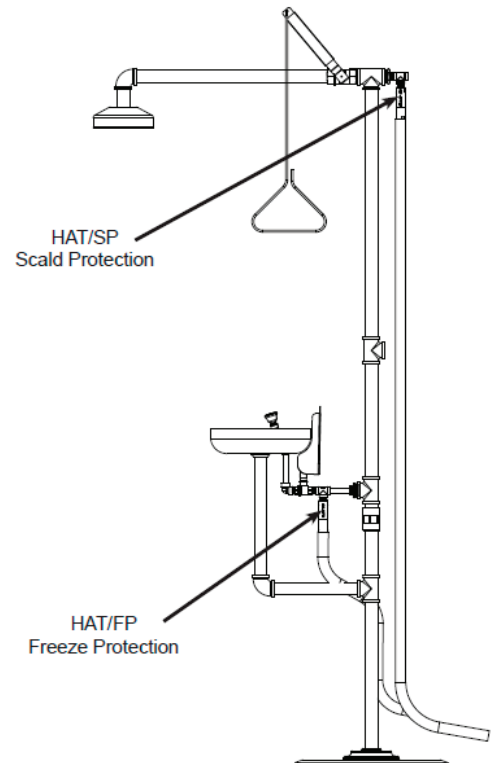
OPERATION

The **HAT/SP** will initiate flow when the thermostatic actuator senses 98°F (36.7°C) and will remain open as long as the discharge water temperature is above 95°F (35°C).

When installed in the ambient sensing position (standard flow), the actuator will respond to ambient temperature to initiate flow and then respond to water temperature once flow is established; when installed in the fluid sensing position (reverse flow), the actuator will always respond to water temperature.



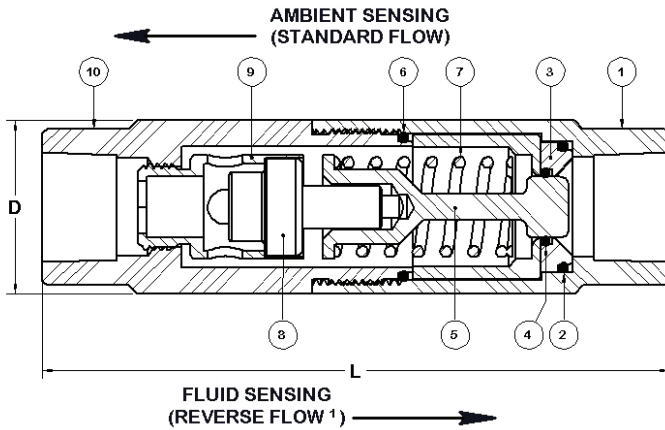
SAMPLE APPLICATIONS



HAT/SP

SCALD PROTECTION VALVE

PARTS & MATERIALS



| ITEM | DESCRIPTION | MATERIAL |
|------|------------------|------------------------|
| 1 | BODY - HALF | 300 Series SS |
| 2 | SEAT INSERT SEAL | EPDM |
| 3 | SEAT INSERT | 300 Series SS |
| 4 | SEAT SEAL | FEP Encapsulated Viton |
| 5 | RAM-TYPE PLUG | 300 Series SS |
| 6 | BODY SEAL | EPDM |
| 7 | OPERATING SPRING | 300 Series SS |
| 8 | THERMAL ACTUATOR | Brass or 300 Series SS |
| 9 | ACTUATOR CARRIER | Brass or 300 Series SS |
| 10 | BODY - HALF | 300 Series SS |

DIMENSIONS & CAPACITIES

| SIZE (NPT) | D | | L | | Weight | | Port Size | C _v | Maximum Operating Pressure ¹ | Maximum Temperature |
|------------|-----|----|-----|-----|--------|-----|-----------|----------------|---|---------------------|
| | in | mm | in | mm | Lb | Kg | | | | |
| 1/2" | 1.3 | 33 | 4.5 | 114 | 0.9 | 0.4 | C | 1.5 | 200 PSIG (13.8 BAR) | 300°F (149°C) |
| 3/4" | 1.5 | 38 | 5.5 | 140 | 1.4 | 0.6 | D | 2.0 | | |

ORDERING

| Part Number | Description ² |
|----------------|--|
| 124-302100-XXX | 1/2" HAT/SP-XXX-C-E (Ambient Sensing) |
| 124-312100-XXX | 1/2" HAT/SP-XXX-C-SS-E (Ambient Sensing) |
| 124-702100-XXX | 1/2" HAT/SP-XXX-C-RF-E ¹ (Fluid Sensing) |
| 125-502100-XXX | 3/4" HAT/SP-XXX-D-E (Ambient Sensing) |
| 125-512100-XXX | 3/4" HAT/SP-XXX-D-SS-E (Ambient Sensing) |
| 125-712100-XXX | 3/4" HAT/SP-XXX-D-SS-RF-E ¹ (Fluid Sensing) |

NOTES

- Reverse flow option for C-port is rated 150 PSIG (10.33 BAR); D-port is 70 PSIG (4.8 BAR)
- Full open temperature, "XXX", is 105°F. Optional full open temperatures, "XXX": 95°F, 100°F, 110°F, and 115°F.
 - Note: Closing temperature is typically 10°F below opening temperature.
- A #20 mesh strainer is recommended.
- Warranty information disclosed at www.thermomegatech.com/terms-conditions/



ThermOmegaTech®, Inc.
353 Ivyland Road
Warminster, PA 18974

1-877-379-8258
www.ThermOmegaTech.com



HAT/SP
2/5/2020